

/METEORA



dESIGN
SUR-
FACES

effetto cemento / concrete-look / effet ciment / zementoptik



Colori / Colours / Couleurs / Farben



Formati / Sizes / Formats / Formate

	RS - 122x122 cm . 48"x48"	± 20 mm	FP2 - R11
	RS - 90x90 cm . 36"x36"	± 9,5 mm	R10
	RS - 90x90 cm . 36"x36"	± 20 mm	FP2 - R11
	RS - 61,0x61,0 cm . 24"x24"	± 9,0 mm	R10
	NS - 61,5x61,5 cm . 24"x24"	± 9,0 mm	OUTDOOR - R11
	RS - 61,0x61,0 cm . 24"x24"	± 20 mm	FP2 - R11
	RS - 30,4x61,0 cm . 12"x24"	± 9,0 mm	R10

RS: Rettificato-Strutturato / Rectified-Textured
NS: Naturale-Strutturato / Natural-Textured

Formati / Sizes / Formats / Formate	RS - 122x122 cm 48"x48" ± 20 mm FP2 R11	RS - 90x90 cm 36"x36" ± 9,5 mm R10	RS - 90x90 cm 36"x36" ± 20 mm FP2 R11	RS - 61,0x61,0 cm 24"x24" ± 9,0 mm R10	NS - 61,5x61,5 cm 24"x24" ± 9,0 mm OUTDOOR R11	RS - 61,0x61,0 cm 24"x24" ± 20 mm FP2 R11	RS - 30,4x61,0 cm 12"x24" ± 9,0 mm R10
BIANCO		●		●			●
GRIGIO	●	●	●	●	●	●	●
MIX		●	●	●	●	●	●
BEIGE	●	●	●	●	●	●	●
COTTO		●	●	●			●

4 METEORA



b

b/ BEIGE 90x90 cm RS/36"x36" RS

c/ indoor: GRIGIO 90x90 cm RS/36"x36" RS
outdoor: GRIGIO FP2 90x90 cm RS/36"x36" RS



c



BIANCO

GRIGIO

MIX

dESIGN
SUR-
FACES

BEIGE

COTTO

BIANCO

- L9X0 90x90 cm 36"x36" - RS
- L2T8 61,0x61,0 cm 24"x24" - RS
- L9W7 30,4x61,0 cm 12"x24" - RS

- A220
- A192
- A110



GRIGIO

- L4T3 90x90 cm 36"x36" - RS
- L3T2 61,0x61,0 cm 24"x24" - RS
- L4T0 61,5x61,5 cm 24"x24" OUTDOOR - NS
- L9W8 30,4x61,0 cm 12"x24" - RS

- A220
- A192
- A191
- A110



- O1K4 122x122 cm 48"x48" - FF-E RS
- L5T6 90x90 cm 36"x36" - FF-E RS
- L0U7 61,0x61,0 cm 24"x24" - FF-E RS

- A232
- A225
- A198

MIX

- M8G7 90x90 cm 36"x36" - RS
- L2T9 61,0x61,0 cm 24"x24" - RS
- L3T8 61,5x61,5 cm 24"x24" OUTDOOR - NS
- L9W9 30,4x61,0 cm 12"x24" - RS

- A220
- A192
- A191
- A110



- M5D0 90x90 cm 36"x36" - FF-E RS
- L6T4 61,0x61,0 cm 24"x24" - FF-E RS

- A225
- A198

BEIGE

- L4T1 90x90 cm 36"x36" - RS
- L3T0 61,0x61,0 cm 24"x24" - RS
- L3T9 61,5x61,5 cm 24"x24" OUTDOOR - NS
- L9W5 30,4x61,0 cm 12"x24" - RS

- A220
- A192
- A191
- A110



- O1K5 122x122 cm 48"x48" - FF-E RS
- L5T4 90x90 cm 36"x36" - FF-E RS
- L6T5 61,0x61,0 cm 24"x24" - FF-E RS

- A232
- A225
- A198

COTTO

- L4T2 90x90 cm 36"x36" - RS
- L3T1 61,0x61,0 cm 24"x24" - RS
- L9W6 30,4x61,0 cm 12"x24" - RS

- A220
- A192
- A110



- L5T5 90x90 cm 36"x36" - FF-E RS

- A225



Sviluppo grafico / Design development / Développement graphique / Grafische Entwicklung 90x90 cm 36"x36" RS

(20 soggetti diversi, miscelazione casuale. Disponibile in tutti i colori. - 20 assorted motifs, random mix. Available in all colours. 20 sujets différents, melange aleatoire. Disponible dans toutes les gammes de couleur. - 20 verschiedene Motive, Zufallsmischung. In allen Farben verfügbar.)


d/ floor: BEIGE 61,0x61,0 cm RS/24"x24" RS
wall: UNIVERSAL PROVENCE 61,0x122,2 cm R/24"x48" R



d

METEORA

Decori / Decors / Décors / Dekors


mosaico mix 81 tessere 3x3 - 30x30 cm 12"x12"  P73



MIX COLD
BIANCO/GRIGIO/MIX



MIX WARM
BIANCO/BEIGE/COTTO

mosaico asimmetrico 18 pz - 30x30 cm 12"x12"  P77



BEIGE


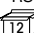

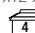

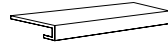

COTTO



BIANCO

GRIGIO

MIX

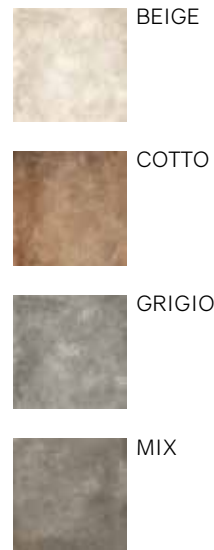
Pezzi Speciali / Special Pieces / Pièces Spéciales / Formteile	 battiscopa 6,5x61,0 cm 2 1/2"x24" RS  P07	 elemento "L" monolitico outdoor 15x30x4 cm 6"x12"x1 3/4" RS  P50	 step 30,4x61,0 cm 12"x24" RS P90	 gradino costa retta 34x61,0x4 cm 13"x24"x1 3/4" RS P31	 angolare costa retta dx/sx 34x34x4 cm 13"x13"x1 3/4" RS P40
BIANCO	●		●	●	●
GRIGIO	●	●	●	●	●
MIX	●	●	●	●	●
BEIGE	●	●	●	●	●
COTTO	●		●	●	●

Note / Notes / Notes / Anmerkungen

I battiscopa e gli elementi "L" vengono venduti a pz. e a scatola completa. Tutti gli altri pezzi speciali vengono venduti al pezzo. I gradini vengono prodotti solo su ordinazione (tempo minimo di consegna 20 gg lavorativi).
All skirting and monolithic L elements, priced per piece, are sold in full box. All other special trims are sold by piece. Steps are produced only on request (minimum delivery terms of 20 days).
Les plinthes et élément "L" sont vendues la pièce et par boîte complète. Les autres pièces spéciales sont vendus la pièce. Le plat de marche sont produit sur demande (délai minimum de 20 jours).
Die Sockelleisten und Stufen werden pro Stk. und Vollen Kartons verkauft. Stufen und Stufenecken werden nur auf Bestellung produziert (Lieferzeiten mindesten 20 arbeitstagen ab Auftragserteilung).

effetto cemento / concrete-look / effet ciment / zementoptik

Colori / Colours / Couleurs / Farben



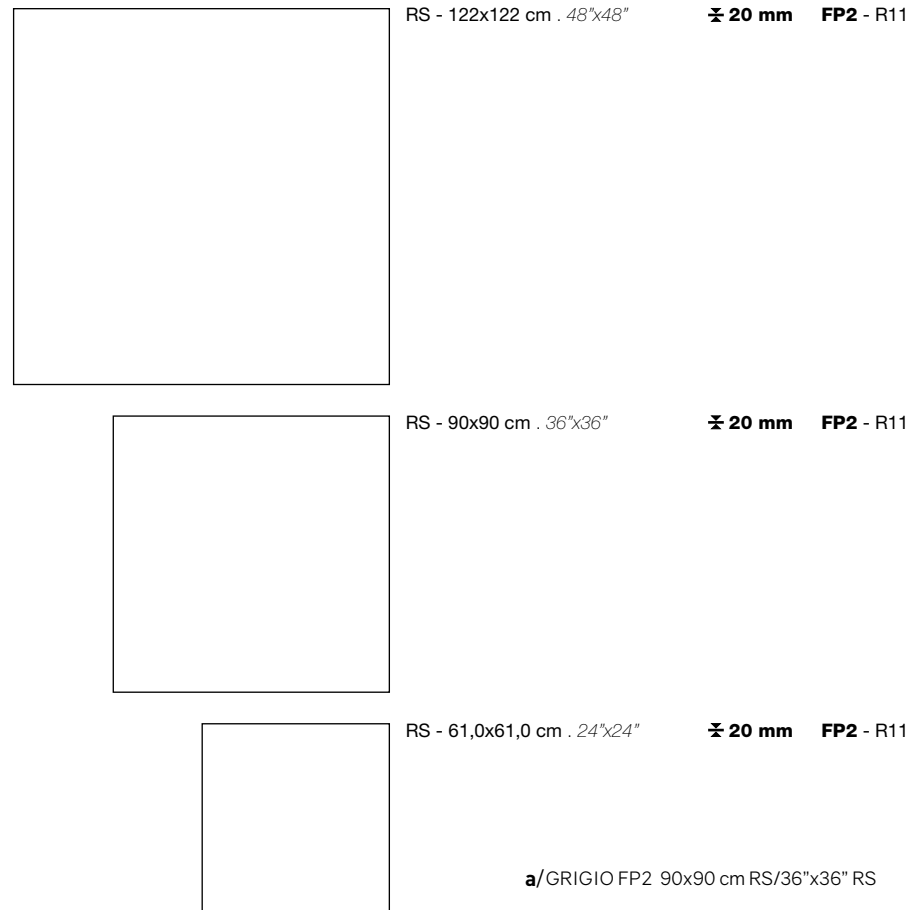
RS: Rettificato-Strutturato / Rectified-Textured

Formati / Sizes / Formats / Formate	RS - 122x122 cm 48"x48" ± 20 mm FP2 R11	RS - 90x90 cm 36"x36" ± 20 mm FP2 R11	RS - 61,0x61,0 cm 24"x24" ± 20 mm FP2 R11
GRIGIO	●	●	●
MIX		●	●
BEIGE	●	●	●
COTTO		●	



a

Formati / Sizes / Formats / Formate



a/GRIGIO FP2 90x90 cm RS/36"x36" RS

b/GRIGIO FP2 61,0x61,0 cm RS/24"x24" RS



b



Per la disponibilità articolo: www.tuscaniagres.it digitando il codice web segnalato a lato dei formati.
For the item's availability: www.tuscaniagres.it type the web code reported next to the sizes.
Pour vérifier la disponibilité de l'article: www.tuscaniagres.it en saisissant le code web indiqué à coté des formats.
Für die Artikelverfügbarkeit: www.tuscaniagres.it web code eingeben, an der Seite von Formaten angedeutet.



FP2

Pezzi Speciali / Special Pieces / Pièces Spéciales / Formteile

	elemento "L" 40x122x5 cm 16"x48" x2" RS P102	elemento "L" 45x90x5 cm 18"x36" x2" RS P101	elemento "L" 30x61,0x5 cm 12"x24" x2" RS P100	angolare elemento "L" SX/DX 40x122x5 cm 16"x48" x2" RS P105	angolare elemento "L" SX/DX 45x90x5 cm 18"x36" x2" RS P104	angolare elemento "L" SX/DX 30x30x5 cm 12"x12" x2" RS P103
BEIGE	●	●	●	●	●	●
COTTO		●			●	
GRIGIO	●	●	●	●	●	●
MIX		●	●		●	●

Note - Notes - Notes - Anmerkungen
I pezzi speciali FP2 vengono venduti al pezzo e solo su ordinazione (tempo minimo di consegna 20 gg lavorativi dall'ordine).

The special pieces FP2 are sold by piece and only on request (minimum delivery time 20 working days from date of order).

Les pièces spéciales FP2 sont vendus à la pièce et uniquement sur commande (délai minimum de livraison 20 jours ouvrés à partir de la commande).




Spezial Teile FP2 sind pro Stück verkauft und nur auf Bestellungen produziert. (Lieferzeiten mindesten 20 arbeitstage ab Auftragbestätigung)

	griglia 20x61 cm 8"x24" RS abbinata al 122x122 cm combined with the 48"x48" P106D	griglia 20x90 cm 8"x36" RS P106C	griglia 20x61 cm 8"x24" RS abbinata al 61x61 cm combined with the 24"x24" P106A	griglia angolo 20x61 cm 8"x24" RS abbinata al 122x122 cm combined with the 48"x48" P109B COPPIA	griglia angolo 20x90 cm 8"x36" RS P108 COPPIA	griglia angolo 20x61 cm 8"x24" RS abbinata al 61x61 cm combined with the 24"x24" P107 COPPIA
BEIGE	●	●	●	●	●	●
COTTO		●			●	
GRIGIO	●	●	●	●	●	●
MIX		●	●		●	●

	round lineare 40x122 cm 16"x48" RS P112	round lineare 45x90 cm 18"x36" RS P111	round lineare 30x61 cm 12"x24" RS P110	round angolare 40x122 cm 16"x48" RS P113 COPPIA	round angolare 45x90 cm 18"x36" RS P113B COPPIA	round angolare 30x61 cm 12"x24" RS P113A COPPIA	angolo bordo toro 40x122 cm 16"x48" RS P116	angolo bordo toro 45x90 cm 18"x36" RS P115	angolo bordo toro 30x61 cm 12"x24" RS P114
BEIGE	●	●	●	●	●	●	●	●	●
COTTO		●			●			●	
GRIGIO	●	●	●	●	●	●	●	●	●
MIX		●	●		●	●		●	●

TABELLA PESI ED IMBALLI

Sizes weight and packaging / Mesures poids et emballages / Tabelle der Gewichte und Verpackungen










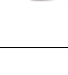


formati / sizes / tailles / formate /		pz. x box	mq. x box	box x pal.	mq. x pal.	kg. x mq	kg. x box	kg. x pal.	
NATURALI / NATURAL (N)									
61,5x61,5 cm 24"x24" N	9 mm	4	1,51	30	45,30	20,46	30,90	940	80x120x75
RETTIFICATI / RECTIFIED (R) -									
90x90 cm 36"x36" R	9,5 mm	2	1,62	21	34,02	19,96	32,33	700	94x107x65
61x61 cm 24"x24" R	9 mm	4	1,49	30	44,70	19,80	29,50	900	80x120x75
30,4x61 cm 12"x24" R	9 mm	7	1,30	40	52,00	19,83	25,77	1045	80x120x75
SPESSORATI / EXTRA THICK (R) 									
122x122 cm 48"x48" R	20 mm	1	1,49	18	26,82	43,81	65,27	1215	124x143x60
90x90 cm 36"x36" R	20 mm	1	0,81	21	17,01	42,45	34,38	750	94x107x65
61x61 cm 24"x24" R	20 mm	2	0,74	30	22,20	44,05	32,59	990	80x120x75
pezzi speciali / special pieces / pièces spéciales / formteile /									
6,5x61 cm 2"x24" battiscopa rettificato		12					8,50		

Note / Notes / Notes / Anmerkungen /
 I battiscopa e gli elementi "L" vengono venduti a pz. e a scatola completa. Tutti gli altri pezzi speciali vengono venduti al pezzo. I gradini vengono prodotti solo su ordinazione (tempo minimo di consegna 20 gg lavorativi).
 All skirting and monolithic L elements, priced per piece, are sold in full box. All other special trims are sold by piece. Steps are produced only on request (minimum delivery terms of 20 days).
 Les plinthes et élément "L" sont vendues la pièce et par boîte complète. Les autres pièces spéciales sont vendus la pièce. Le plat de marche sont produit sur demande (délai minimum de 20 jours).
 Die Sockelleisten und Stufen werden pro Stk. und Vollen Kartons verkauft. Stufen und Stufenecken werden nur auf Bestellung produziert (Lieferzeiten mindesten 20 arbeitstagen ab Auftragserteilung).

SIMBOLOGIA CARATTERISTICHE TECNICHE -

GRÈS PORCELLANATO /

Symboles technical characteristics - porcelain stoneware / Symboles des caracteristiques techniques - grès cérame / Symbole technischen eigenschaften - feinsteinzeug

	CARATTERISTICHE TECNICHE TECHNICAL CHARACTERISTICS CARACTÉRISTIQUES TECHNIQUES TECHNISCHE MERKMALE	NORMA DI RIFERIMENTO REFERENCE STANDARD NORME DE REFERENCE PRÜFMETHODE	VALORE RICHIESTO REQUIRED VALUE VALEUR REQUISE SOLLWERT	VALORE MEDIO TUSCANIA AV. TUSCANIA VALUE VALEUR MOYENNE TUSCANIA MITTLERER TUSCANIA-WERT
	DIMENSIONI DIMENSIONS DIMENSIONS ABMESSUNGEN	ISO 10545-2	CONFORME COMPLIANT CONFORME KONFORM	CONFORME COMPLIANT CONFORME KONFORM
	ASSORBIMENTO D'ACQUA WATER ABSORPTION ABSORPTION D'EAU WASSERAUFNAHME	ISO 10545-3	≤ 0,5 %	CONFORME COMPLIANT CONFORME KONFORM
	RESISTENZA A FLESSIONE MODULUS OF RUPTURE RESISTANCE A LA FLEXION BIEGEFESTIGKEIT	ISO 10545-4	MODULUS OF RUPTURE R ≥35 N/MM ² BREAKING STRENGTH S ≥1300 N	CONFORME COMPLIANT CONFORME KONFORM
	RESISTENZA ALL'ABRASIONE ABRASION RESISTANCE RÉSISTANCE À L'ABRASION ABRIEBBESTÄNDIGKEIT	ISO 10545-7	PEI SOLO PER PIASTRELLE SMALTATE ONLY FOR GLAZED TILES	
	DILATAZIONE TERMICA LINEARE LINEAR THERMAL EXPANSION DILATATION THERMIQUE LINEAIRE LINEARE WÄRMEAUSSDEHNUNG	ISO 10545-8	≤ 9x10 ⁻⁵ °C ⁻¹	CONFORME COMPLIANT CONFORME KONFORM
	RESISTENZA AGLI SBALZI TERMICI THERMAL SHOCK RESISTANCE RESISTANCE AUX ECARTS DE TEMPERATURE ITEMPERATURWECHSELBESTÄNDIGKEIT	ISO 10545-9	RESISTENTE RESISTANT RESISTANT BESTÄNDIG	RESISTENTE RESISTANT RESISTANT BESTÄNDIG
	RESISTENZA AL GELO FROST RESISTANCE RESISTANCE AU GEL FROSTBESTÄNDIGKEIT	ISO 10545-12	RESISTENTE RESISTANT RESISTANT BESTÄNDIG	RESISTENTE RESISTANT RESISTANT BESTÄNDIG
	RESISTENZA AGLI ACIDI ED ALLE BASI ACID AND ALKALI RESISTANCE RESISTANCE AUX ACIDES ET AUX BASES SÄURE- UND LAUGENBESTÄNDIGKEIT	ISO 10545-13	CLASS GB MIN.	LOW CONCENTRATION GLA HIGH CONCENTRATION GHA
	RESISTENZA ALL'ATTACCO CHIMICO CHEMICAL RESISTANCE RESISTANCE À L'ATTAQUE CHEMIQUE CHEMISCHE BESTÄNDIGKEIT	ISO 10545-13	CLASS GB MIN.	GA
	RESISTENZA ALLE MACCHIE STAIN RESISTANCE RESISTANCE AU TACHES FLECKENBESTÄNDIGKEIT	ISO 10545-14	CLASS 3 MIN.	5
	COEFFICIENTE DI ATTRITO (SCIVOLOSITÀ) FRICTION COEFFICIENT (SLIPPERINESS) COEFFICIENT DE FRICTION (GLISSEMENT) REIBUNGSKOEFFIZIENT (RUTSCHIGKEIT)	BCR - ITALIA DM DEL 14-06-89	ASTM - USA ASTM C1028	DIN - GERMANIA DIN 51130
		DRY RUBBER 0,62	WET RUBBER 0,51	DRY LEATHER 0,62
			DRY NEOLYTHE 0,69	WET NEOLYTHE 0,62
				R10 - R11 outdoor/FP2 ZH 1/571

THE PRODUCTS HAVING AN ABSORPTION < 0,5% ARE CLASSIFIED ACCORDING THE UNI CEN STANDARDS "FULLY VITRIFIED TILES" AND ACCORDING TO THE ASTM STANDARDS "IMPERVIOUS TILES"

METEORA

Le informazioni contenute nel presente catalogo sono il più possibile esatte, ma non sono da ritenersi vincolanti. Per esigenze di produzione l'Azienda si riserva il diritto di apportare eventuali modifiche che si rendessero necessarie. Peso, colori e misure sono soggetti alle inevitabili variazioni tipiche del processo di cottura della ceramica. Il colori e gli effetti riportati sul presente catalogo sono indicativi per i limiti consentiti dalla stampa; per questo non possono essere vincolanti e costituire base per eventuali contestazioni.

The information contained in this catalogue is as accurate as possible, but cannot be considered as legally binding. The Company reserves the right to make any modifications that become necessary due to production requirements. Weight, colours and dimensions are subject to the inevitable variations typical of the ceramic firing process. Colours and aesthetic effects shown on this catalogue should be considered indicative and approximate as a result of printing process limits. Possible variations may occur and can not be at the base of any claim.

Les informations reprises dans ce catalogue sont exactes, mais elles n'engagent aucunement notre Société du point de vue légal. Pour des exigences de production la Société se réserve le droit d'apporter toutes les dimensions sont assujettis aux variations typiques du processus de cuisson de la céramiques. Les couleurs et les effets présentés dans ce catalogue sont indicatifs dans la mesure permise par la presse, ce qui explique pourquoi ils ne peuvent pas être obligatoire et constituer la base d'un éventuel désaccord.

Die Informationen des vorliegenden Katalogs sind so exakt wie möglich, sind jedoch nicht als gesetzlich verbindlich zu betrachten. Aus Fertigungsgründen behält die Firma sich das Recht vor, eventuell notwendige Änderungen vorzunehmen. Gewicht, Farben und Abmessungen unterliegen den unvermeidlichen Veränderungen, die für den Brennvorgang von Keramikprodukten typisch sind. Die in diesem Katalog gezeigten Farben und Effekte sind Richtwerte, soweit durch die Presse, die ist, warum sie nicht bindend und stellen die Grundlage für eine Meinungsverschiedenheit gestattet.

Credit:

Marketing:
Tuscania

Progetto Grafico:
EUREKA

T
TUSCANIA
ceramiche



/METEORA



tuscaniagres.it

Tuscania S.p.A.

Via Giardini Sud, 4603
41028 Serramazzoni (Mo) - Italia
Tel. +39 0536.952399
Fax +39 0536.954716
info@tuscaniagres.it
www.tuscaniagres.it

